

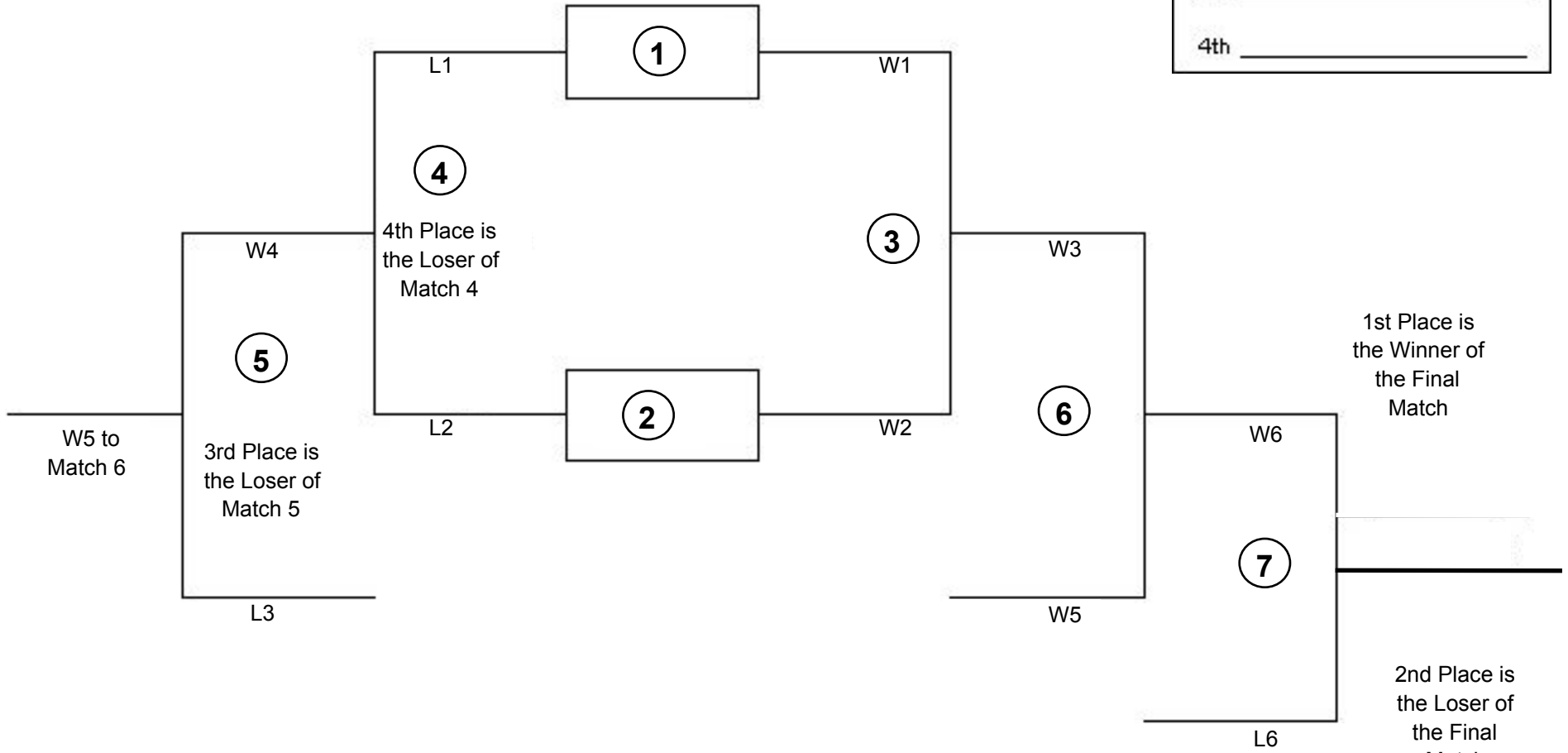


RELAY MANAGER:

Legend

① = Match Number
W = Winner (W1 = winner of Match 1)
L = Loser (L1 = loser of Match 1)

1st	_____
2nd	_____
3rd	_____
4th	_____



Match 7 only takes place if W3 loses Match 6

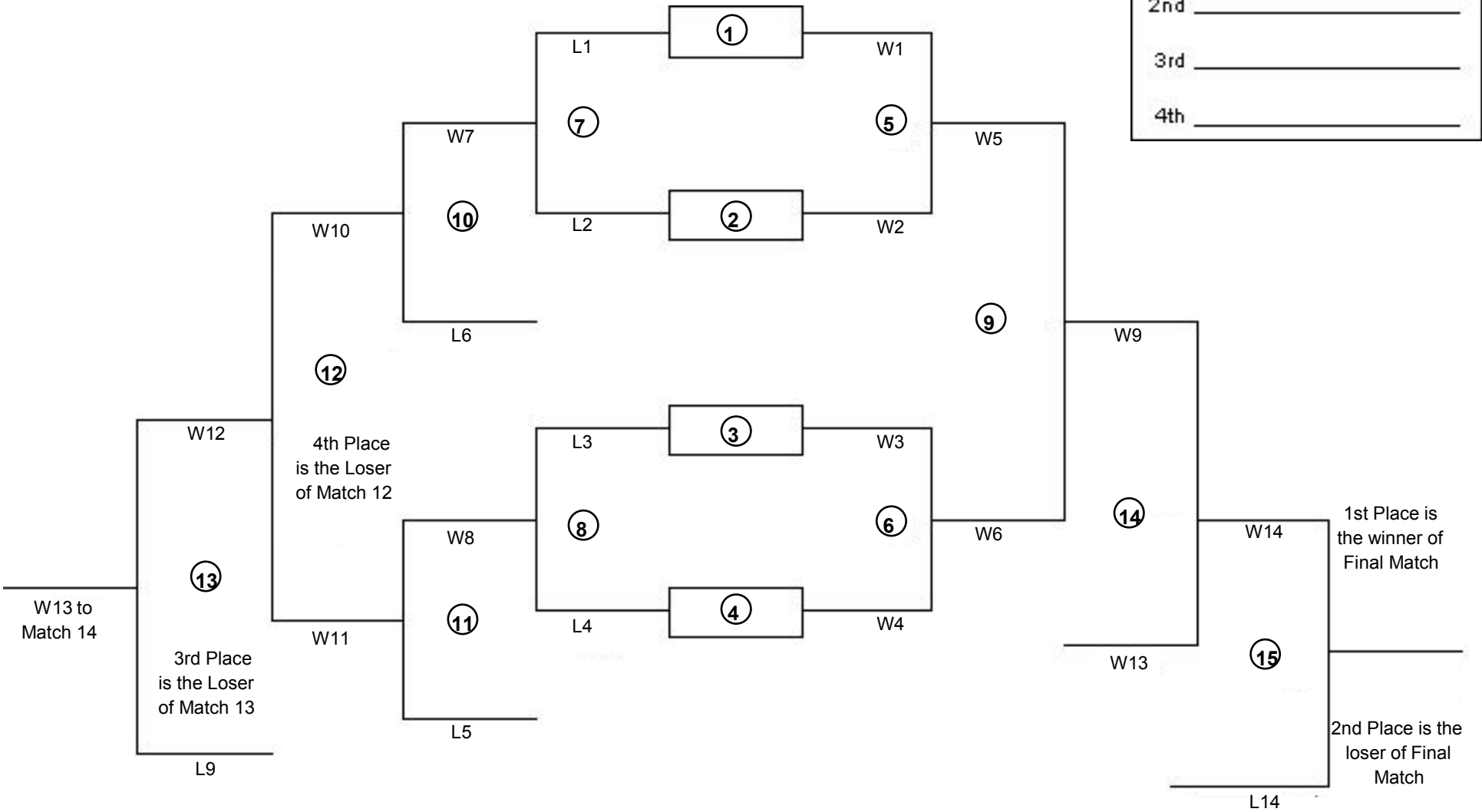


RELAY MANAGER:

Legend

① = Match Number
 W = Winner (W1 = winner of Match 1)
 L = Loser (L1 = loser of Match 1)

1st _____
 2nd _____
 3rd _____
 4th _____



Match 15 only takes place if W9 loses Match 14

